

# Moisture Analyzer Accessories

## IR-30 and IR-200 Accessories

**Disposable Pans** 01-913-356

Disposable 4" diameter aluminum pans for use with the IR-30 and IR-200 Moisture Analyzers (50/pkg.)

**Glass Sample Pads** 01-913-358

Disposable 4" diameter glass pads for use with the IR-30 and IR-200 Moisture Analyzers (200/pkg.)

**Printer Paper** 01-913-379

Thermal printer paper for the internal printer of the IR-200 Moisture Analyzer (5 rolls/pkg.)

**Temperature Calibration Tool** 01-913-380

Tool calibrates the temperature of the infrared heating chamber in the IR-200 Moisture Analyzer.

**Temperature Verification Tool** 02-226-206

Tool verifies the temperature of the infrared heating chamber in the IR-30 Moisture Analyzer.

### IR-200 Cables

25-pin connector to DB-9S "Special" 901309.1

Intercommunications cable, 25-pin connector "Special" 901310.1

Balance Talk XL Interface Software "Special" 902227.1

**Metal Hood Shield Inserts (IR-30)** 02-226-205

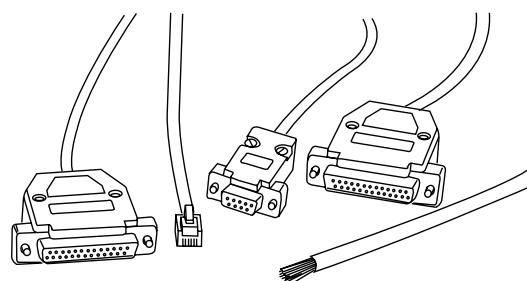
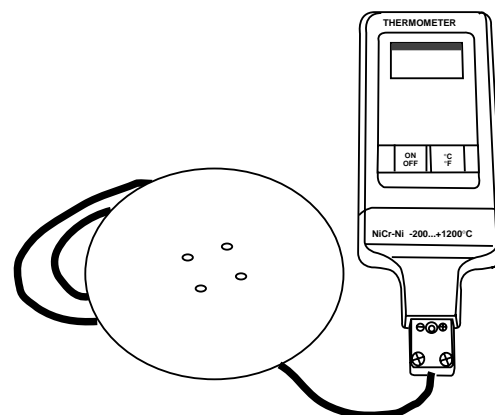
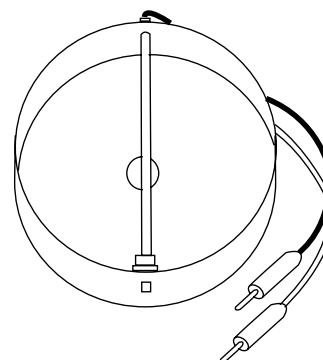
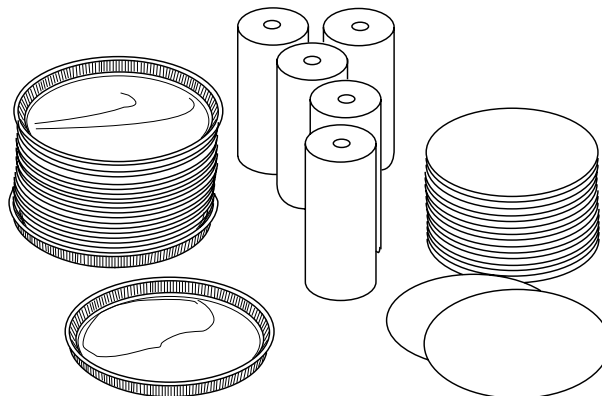
Exchange glass shields with metal for food and other applications.

**IR-30 Cable** 02-226-204

9-Pin connector to DB-9S, IBM serial cable.

**Thermal Printer with Cable (IR-30)** 02-226-203

**Thermal Printer Paper (IR-30), each** 01-913-50



 **Denver Instrument Company**

*Precision laboratory instruments since 1880*

6542 Fig Street • Arvada, Colorado 80004

303-431-7255 • 1-800-321-1135 • Fax 303-423-4831

www.denverinstrument.com