

# Balance Accessories

## Printers

Thermal printer features 4" print area, 28K buffer, graphics capability, parallel and serial ports. Dot matrix impact printer provides long-lasting records. Printers come with interface cable and 1 roll of paper.

### TR, TL and TC-Series Balances

Thermal Printer Kit 02-226-190  
 Dot-Matrix Printer Kit 01-913-376

### APX-Series and XP-Series Balances

Dot-Matrix Printer Kit "Special" 902280.1

Paper for Thermal Printer 02-226-192  
 Paper for Dot Matrix Printer 01-913-52  
 Ribbon for Dot Matrix Printer 01-913-53

## Draft Shields

Glass cabinet draft shield for use with T-Series electronic balances. Metal housing with glass doors on top and sides to ensure stable readings. Fits round pan models only. Dimensions (LxWxH): 9 x 8.25 x 10.75" (229 x 210 x 273mm)

TR, TL and TC-Series Balances 01-914-263

## Draft Ring

Acrylic ring with stainless steel cover to ensure stable readings. Fits round pan models only. Dimensions: 7" I.D. x 3" height (178mm I.D. x 76mm)

TR, TL and TC-Series Balances "Special" 602094.1  
 APX Series Balances "Special" 902191.1

## Anti-Theft Lockdown Kits

Secures any Denver balance to benchtop. Includes two hardened-steel cylinders and two keys to lock the balance in place.

T-Series and APX-Series Balances 01-913-323  
 XP-Series "Special" 602089.1

## Weigh-Below Kit

Used for suspending samples below the balance to determine specific gravity. Includes 75mm threaded rod with hook. Connects directly to weigh below port. Fits all balances except XP-Series.

TR, TL and TC-Series Balances 01-960-6

## Spill Cover

Durable, high-impact plastic cover to protect your balance during use.

TR, TL and TC-Series Balances 01-914-264

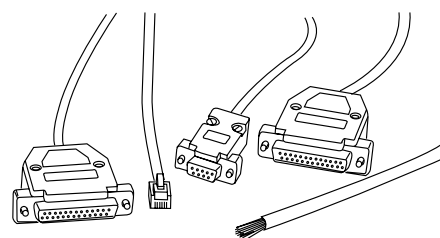
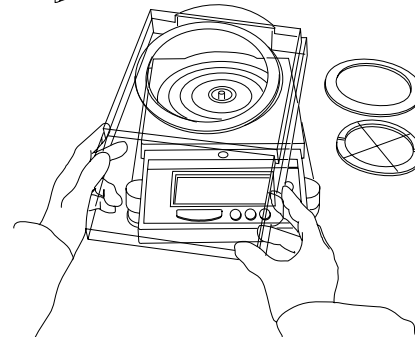
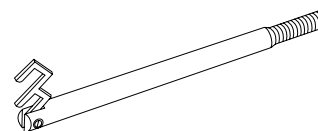
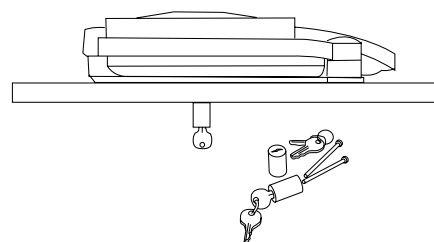
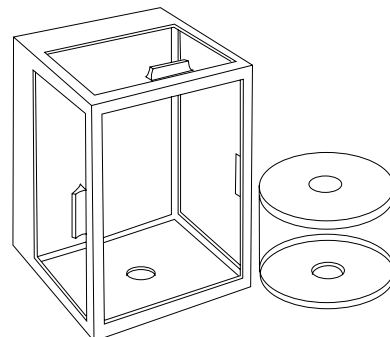
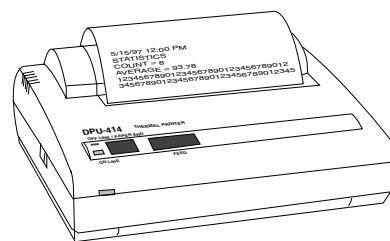
## Serial Interface Cables

For communication with a variety of peripherals. All cables are 6' (1.8 meters) in length. For TR, TL and TC-Series Balances.

For use with most personal computers – DB-25S cable connector 01-913-370  
 For use with IBM® AT computers – DB-9S cable connector 01-913-371  
 For use with any RS-232C printer – DB-25P cable connector 01-913-369  
 Blunt End – Configure to your specific requirements 01-913-351

## Balance Talk XL™

Connect any Denver Instrument product to your PC for direct input of real-time data into any Excel spreadsheet. "Special" 902227.1



Denver Instrument Company

Precision laboratory instruments since 1880  
 6542 Fig Street • Arvada, Colorado 80004  
 303-431-7255 • 1-800-321-1135 • Fax 303-423-4831  
 www.denverinstrument.com